



# Infrared Temperature Sensor

## INFTL-200 / INFVL-200

### Non-Contact IR Temperature Sensor

These infra-red temperature sensor allows non-contact temperature measurements which may be typically required for tyres, disk brakes, clutches, etc. They are generally delivered with a linear output signal.

Due to the reduced dimensions, both of the 2 types, M12 or Bloc T, allow easy installation and the built-in electronics facilitates the application.

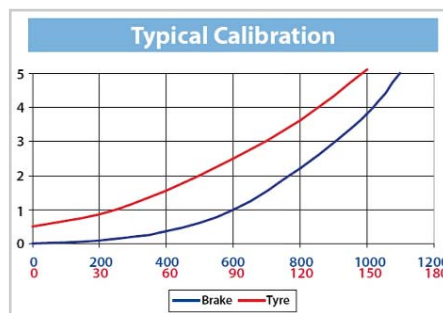
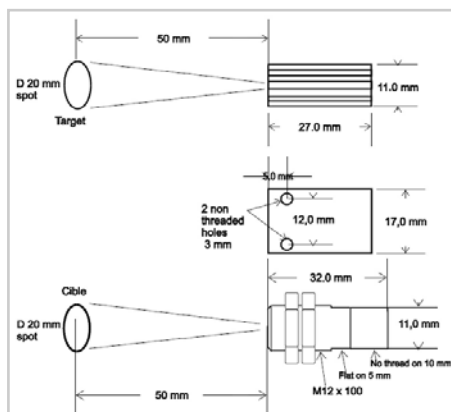
### Typical Technical Data

Range: 200°C  
 Power supply: 5 ... 16V  
 Output: 0.5 ... 4.5V  
 Sensitivity: 20 mV / °C  
 Error: ± 2%  
 Min. measureable Temp.: -40 °C  
 Max. ambient Temp.: 120 °C  
 Measurement distance: 30 ... 70 mm field of view: 15°  
 Spot size: Ø15 mm at 60 mm distance (see graphic below)  
 Connection: 1 m of 3 x AWG 26 PTFE shielded cable (others on request) - cable shield connected to case

#### Std. connections

Red: Supply (5 ... 16 V)  
 White: Output Signal  
 Blue: GND (0 V)

Dimensions: Threaded = M12 x 100 x 32mm (INFVL-200)  
 Bloc = 27 x 17 x 11mm (INFTL-200)



©2009 CORRSYS-DATRON Sensorsysteme GmbH, Deutschland  
 IR-TempSen-INFTL-200\_d-089-e-rev001 10/09

**Art. No.**  
**INFTL-200** 17076  
**INFVL-200** 17077

In a continuous effort to improve our products, CORRSYS-DATRON reserves the right to change specifications without prior notice.